

ergotron
HEALTHCARE



***We are devoted to
helping caregivers thrive.***

For more than 40 years, Ergotron has improved healthcare workflows and enabled quality patient care by offering dynamic, ergonomic solutions designed for caregivers. Highly customizable, our designs fit more people, workflows and environments.



Support genuine patient connections and help reduce the risk of errors with the modular CareFit Combo System that enables an efficient and comfortable documentation experience at the point of care.

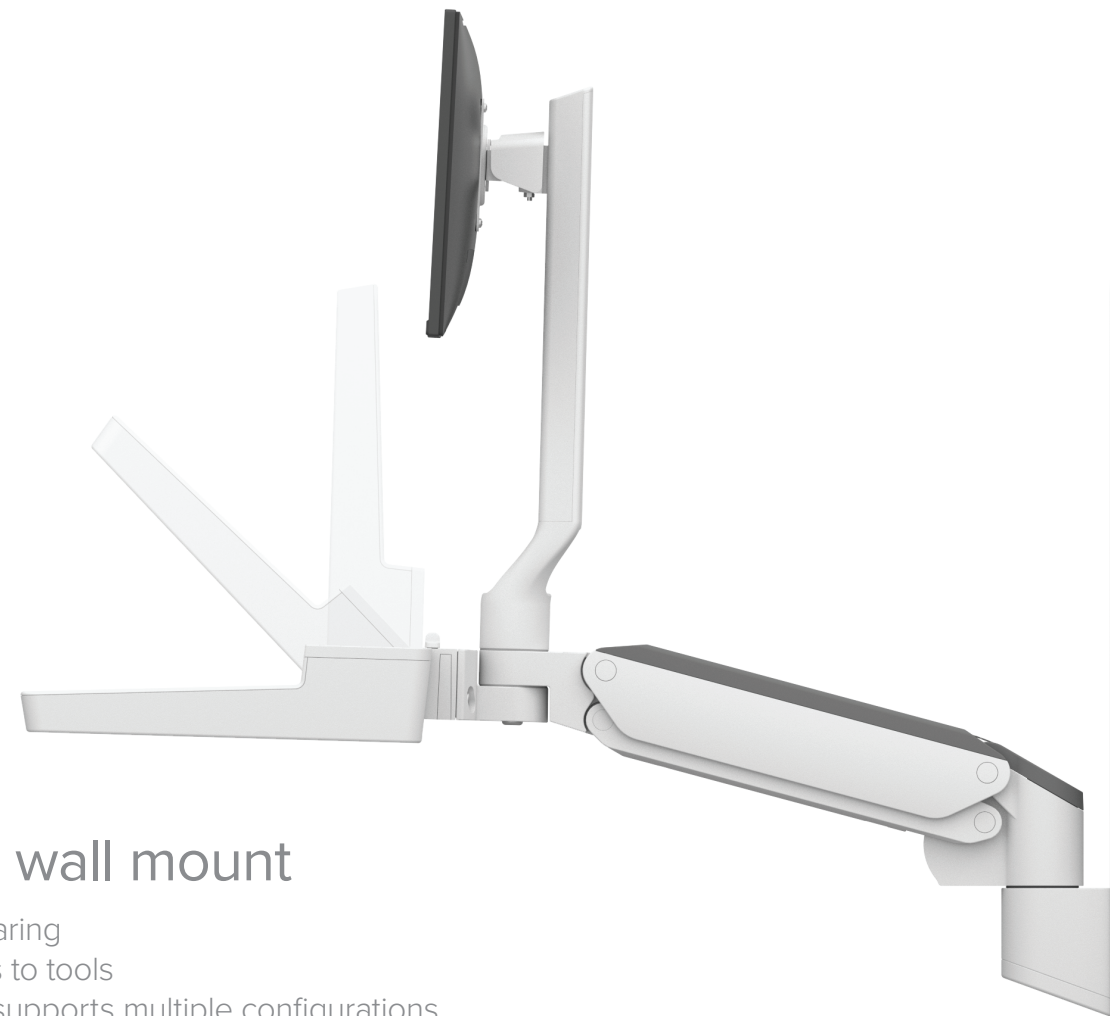


CAREFIT™



CareFit Combo

*A new documentation experience
at the **point of care***



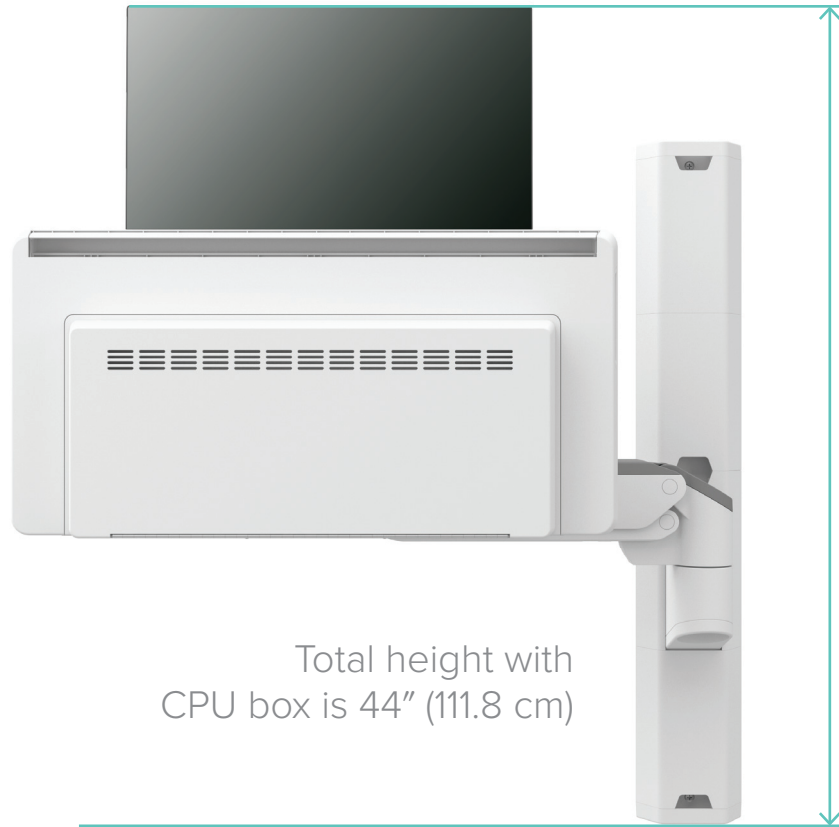
Modular wall mount

Easy screensharing

Intuitive access to tools

Sturdy design supports multiple configurations

Foster the nurse-patient connection



Total height with
CPU box is 44" (111.8 cm)

- Space-saving design easily folds when not in use
- Light touch gives caregivers flexibility and choice
- Multiple configurations are easy to clean and service
- Enable secure access with space for an RFID badge reader



CareFit Combo



CareFit Combo

*Enhances healing spaces
with **concealed**
cable management*

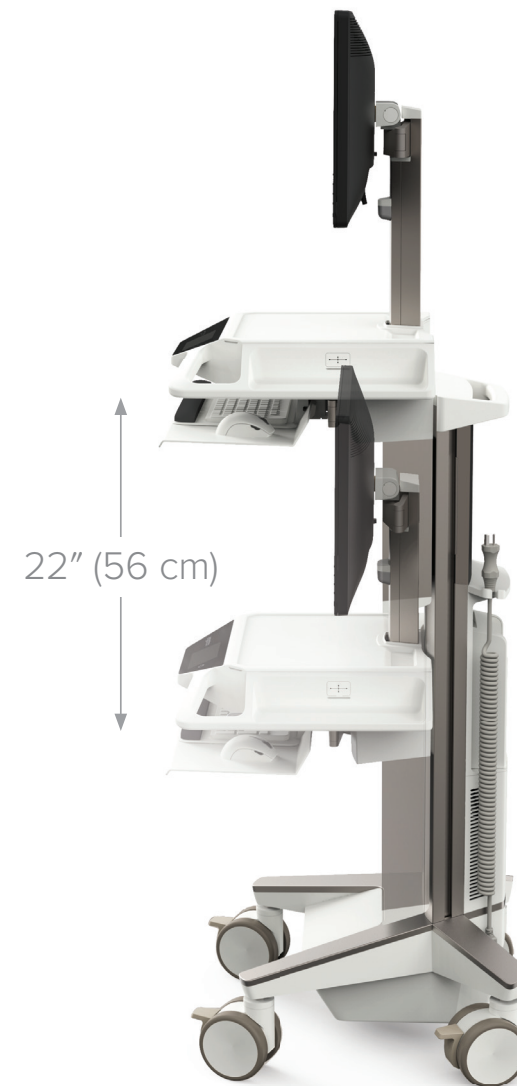


CAREFIT™



CareFit Pro

*Innovative design
for every shift*



Full-featured

- Expansive height-adjustment range
- Fully-enclosed technology and cabling
- Built-in hot swap battery capability
- Multiple accessories fit your workflows



otron

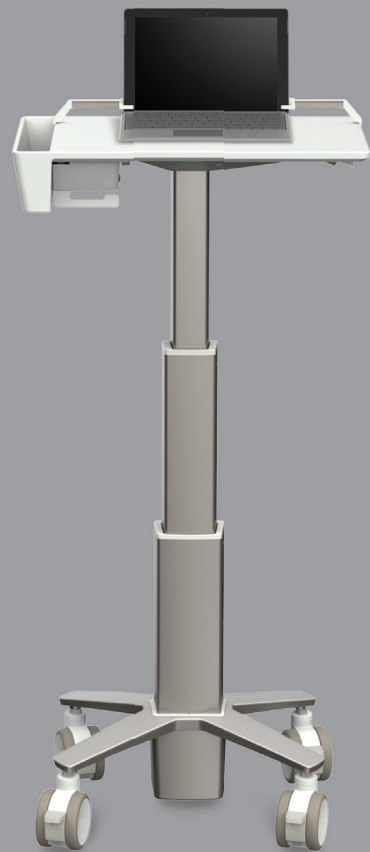
Intuitive dashboard
fits your workflow

CareFit Pro

Keep everything safely
in its place with
customizable
drawer configurations
and access



CAREFIT™

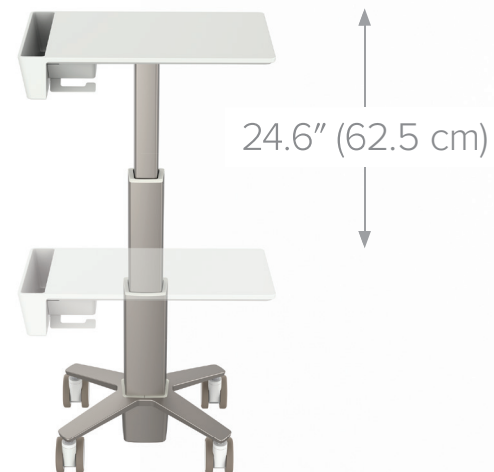


CareFit Slim Laptop



CareFit Slim LCD 2.0

*Your documentation
companion*



Ultra-lean

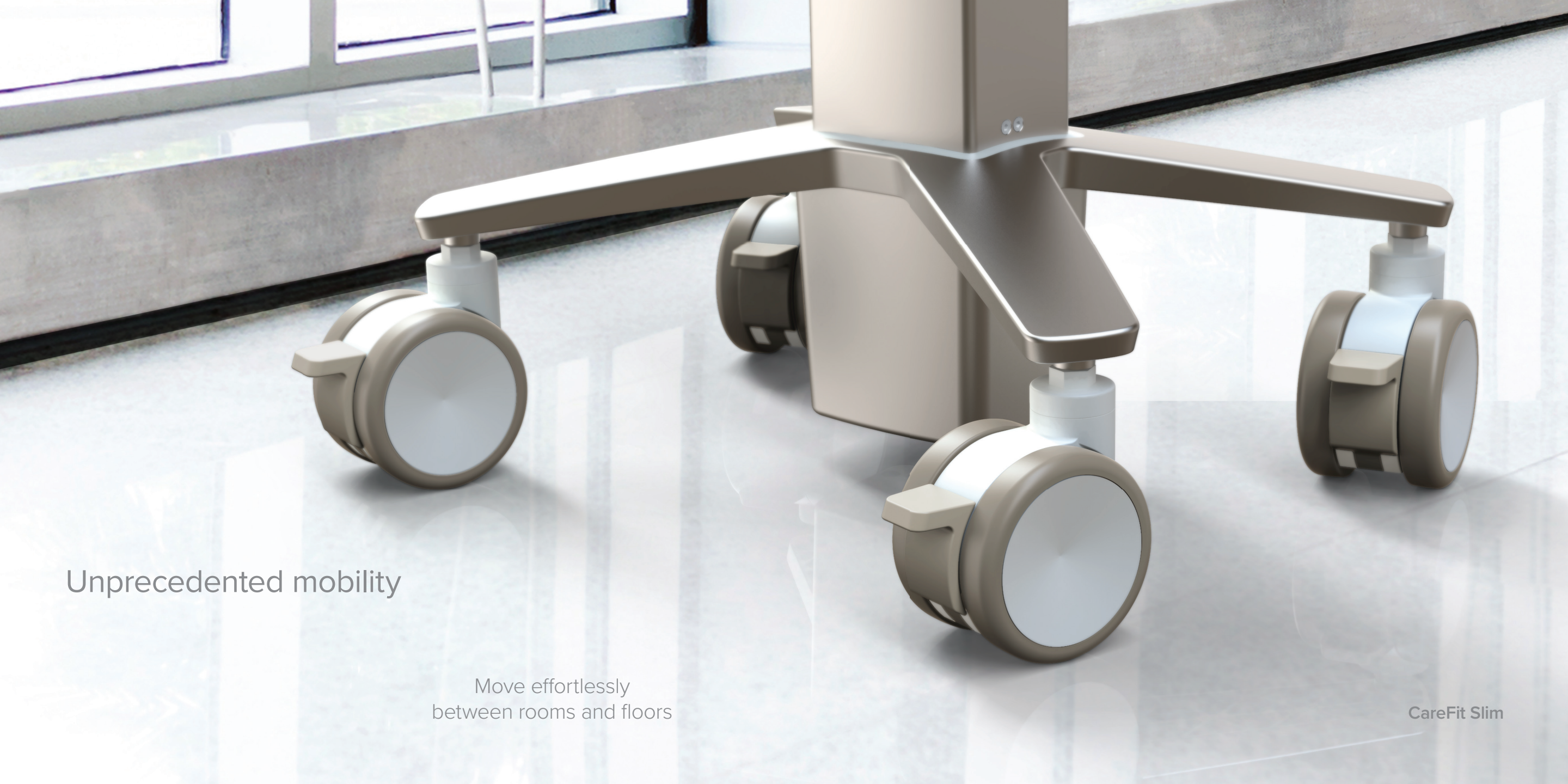
Small footprint
Lightweight
Expansive height-adjustment range
Customizable options for power, scanner,
printer, wipes and more





CareFit Slim

Lean and customizable design inspired
by caregiver insights



Unprecedented mobility

Move effortlessly
between rooms and floors

CareFit Slim

LiFeKinnex™



LiFeKinnex Power System



LiFeKinnex
245Wh battery



*Say goodbye
to power anxiety*

A charging workflow
you can count on



LiFeKinnex 4-Bay Charger
(Desktop)

Keep tabs on battery life
with the light bar indicator



LiFeKinnex 4-Bay Charger
(Wall-mounted)

eKinnex™

Secure, web-based software

Seamless management

Helps increase cart uptime

Real-time insight into usage patterns, drawer access, battery charge/life and more

Software operates separately from patient records

Fast implementation

eKinnex Cloud-Based Software

Cloud-based fleet management



CAREFIT™



CareFit Low Profile Wall Enclosure



*Low-profile design
enhances healing spaces*

Woodgrain options to match your space:



Walnut Heights



Fonthill Pear



Phantom Ecrú



Phantom Cocoa



Wild Cherry



Manitoba Maple

WORKFIT™



WorkFit Elevate™

*Elevate
the
documentation
experience*



STYLEVIEW™

Tailored workflow solutions

Combining several of our products into specialized, expert solutions delivers what you need in each application for patient-centered care

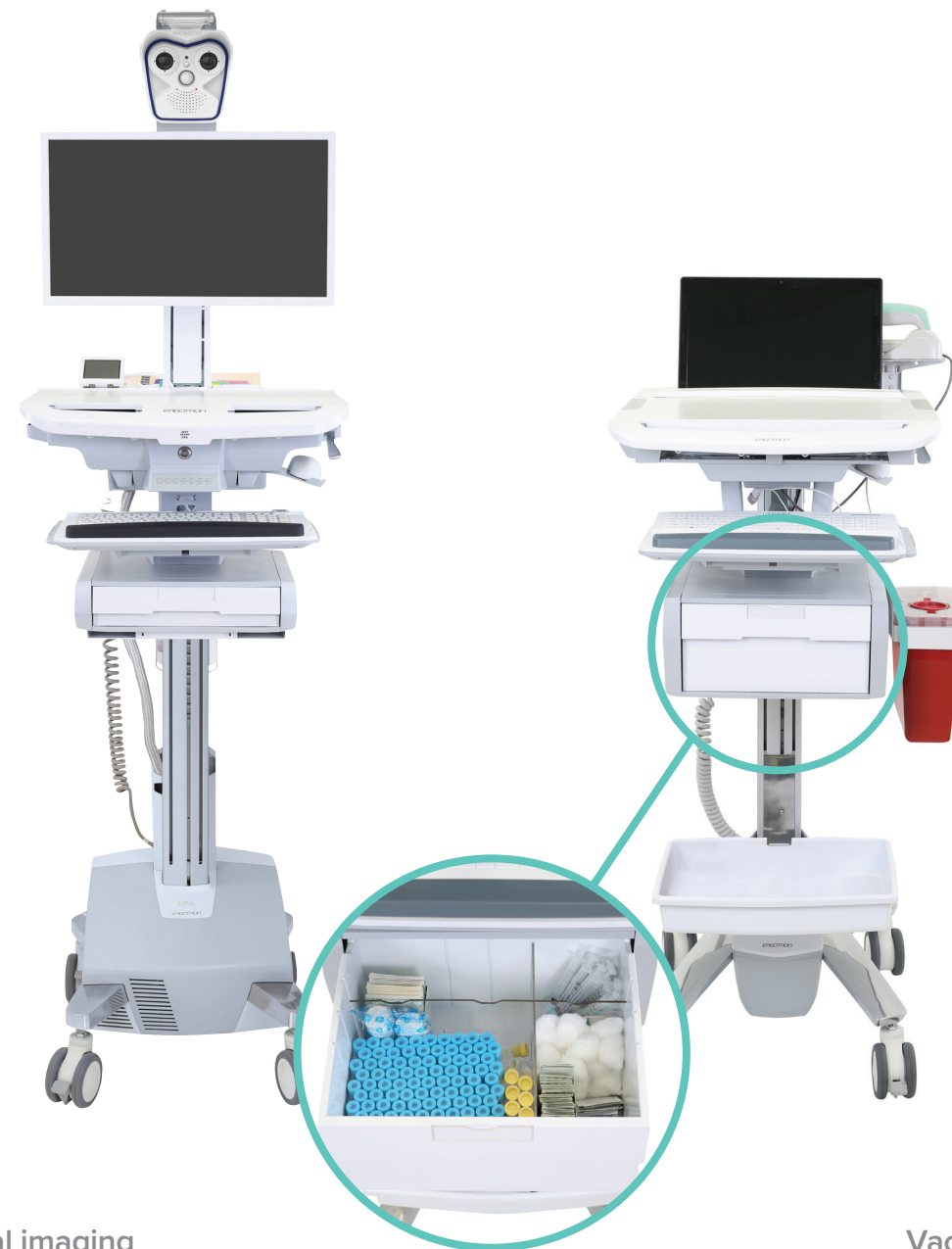
Thermal imaging

Bring temperature detection anywhere its needed

Vaccination

Enable safe and efficient vaccinations beyond clinic walls

Tailored solutions (additional configurations available)



Thermal imaging

Vaccination

Certified Service

We don't just stand behind our products—
we stand behind you

Available services:

Installation and integration

Next business day on-site service

Preventive maintenance

Extended warranties

In-warranty and post-warranty repairs

In-depth on-site product training

Equipment audit and health check





moving you forward[™]

Using human-centered design principles and the Technology of Movement[™], we build environments that help people thrive.

ergotron.com/carefit

ergotron®

1181 Trapp Road
St. Paul MN 55121
800.888.8458
insidesales@ergotron.com



Follow us on:
facebook.com/ergotroninc
instagram.com/ergotron
linkedin.com/company/ergotron

© 2022 Ergotron Inc., all rights reserved
870-01-077-EA 10.06.2023